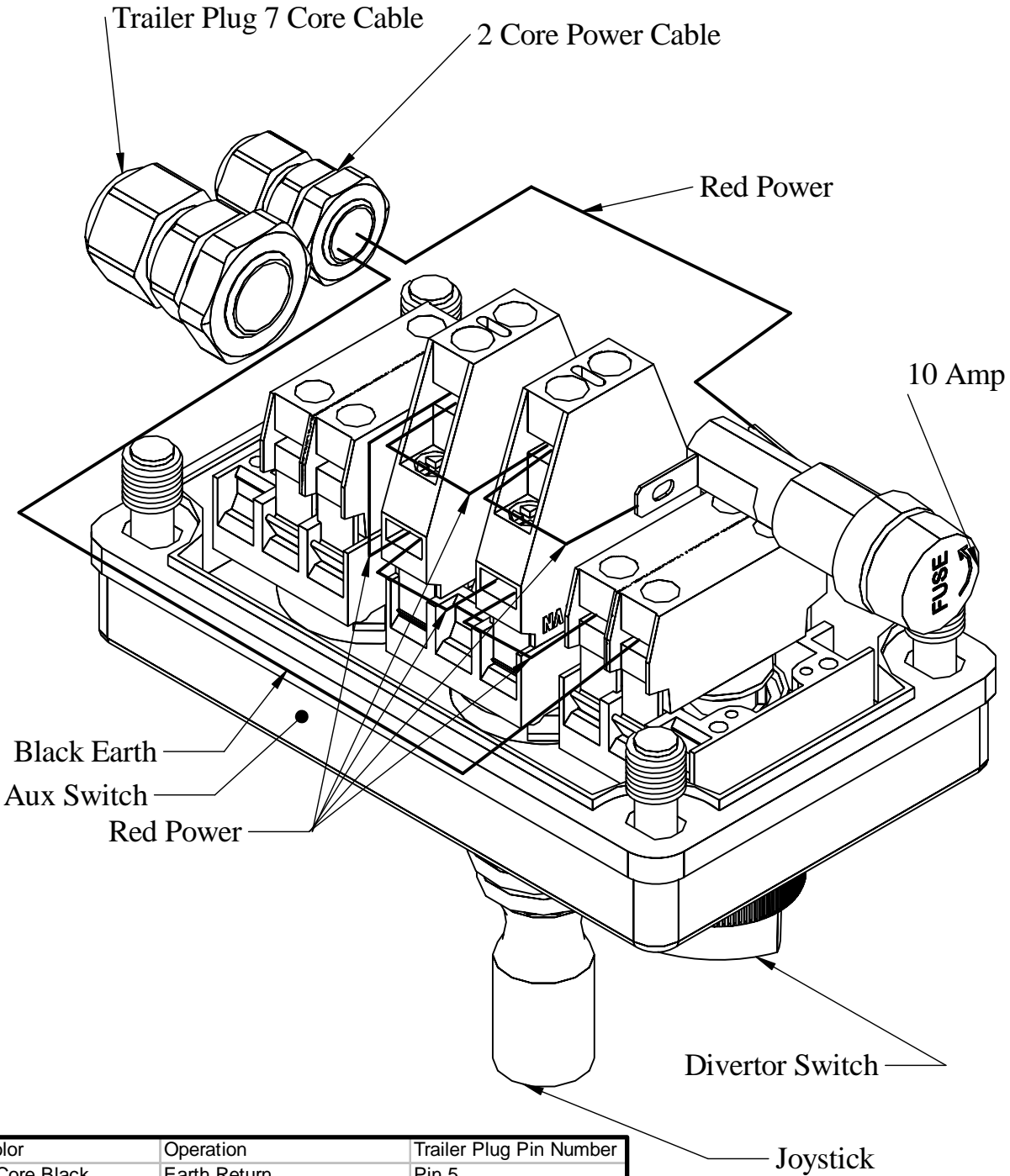
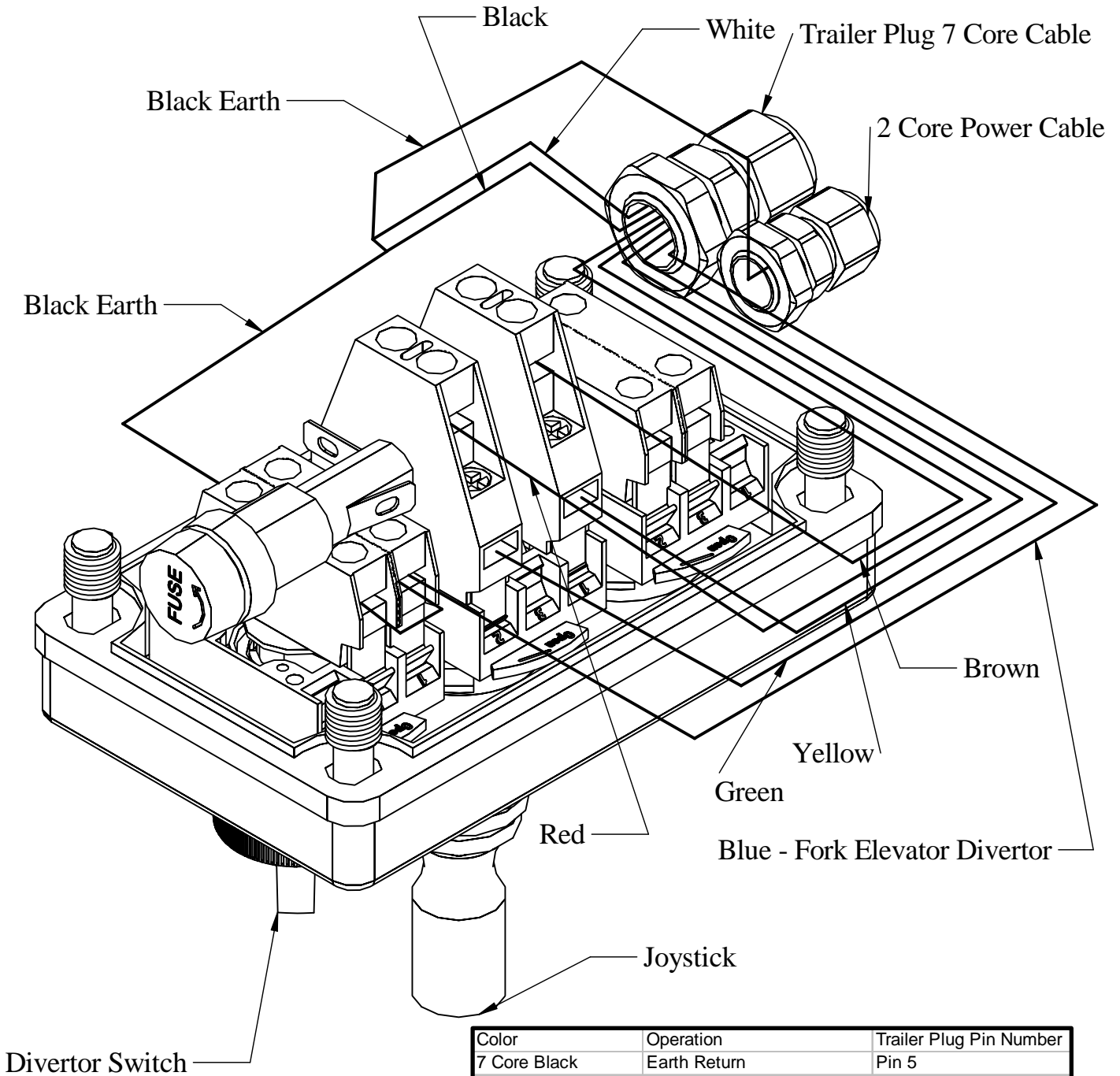


New Zealand Model Mega Comby Joystick Control Box Layout 1



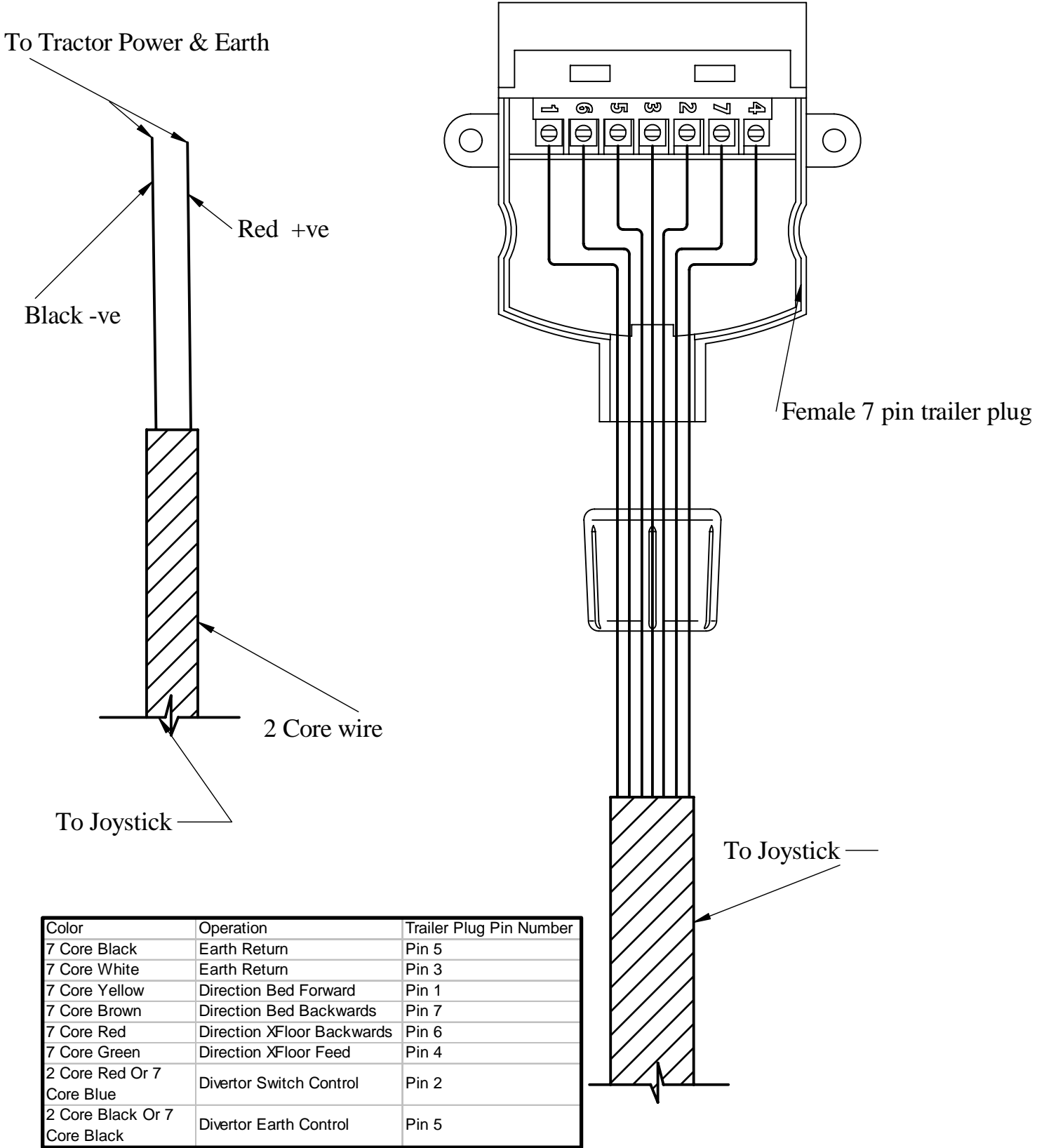
Color	Operation	Trailer Plug Pin Number
7 Core Black	Earth Return	Pin 5
7 Core White	Earth Return	Pin 3
7 Core Yellow	Direction Bed Forward	Pin 1
7 Core Brown	Direction Bed Backwards	Pin 7
7 Core Red	Direction XFloor Backwards	Pin 6

New Zealand Model Mega Comby Joystick Control Box Layout 2

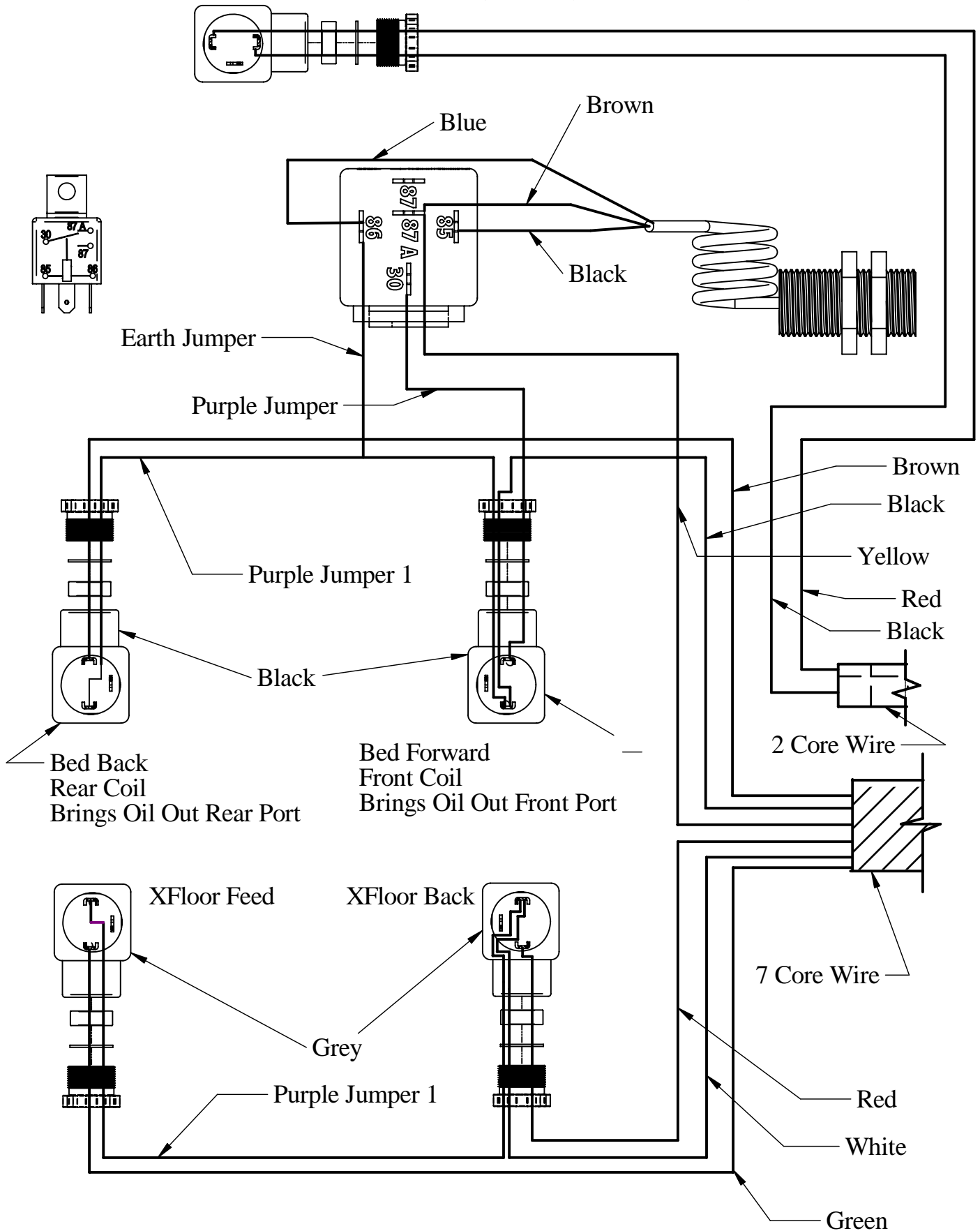


Color	Operation	Trailer Plug Pin Number
7 Core Black	Earth Return	Pin 5
7 Core White	Earth Return	Pin 3
7 Core Yellow	Direction Bed Forward	Pin 1
7 Core Brown	Direction Bed Backwards	Pin 7
7 Core Red	Direction XFloor Backwards	Pin 6
7 Core Green	Direction XFloor Feed	Pin 4
2 Core Red Or 7 Core Blue	Divertor Switch Control	Pin 2
2 Core Black Or 7 Core Black	Divertor Earth Control	Pin 5

New Zealand Model Mega Comby Joystick Plug End Layout 1

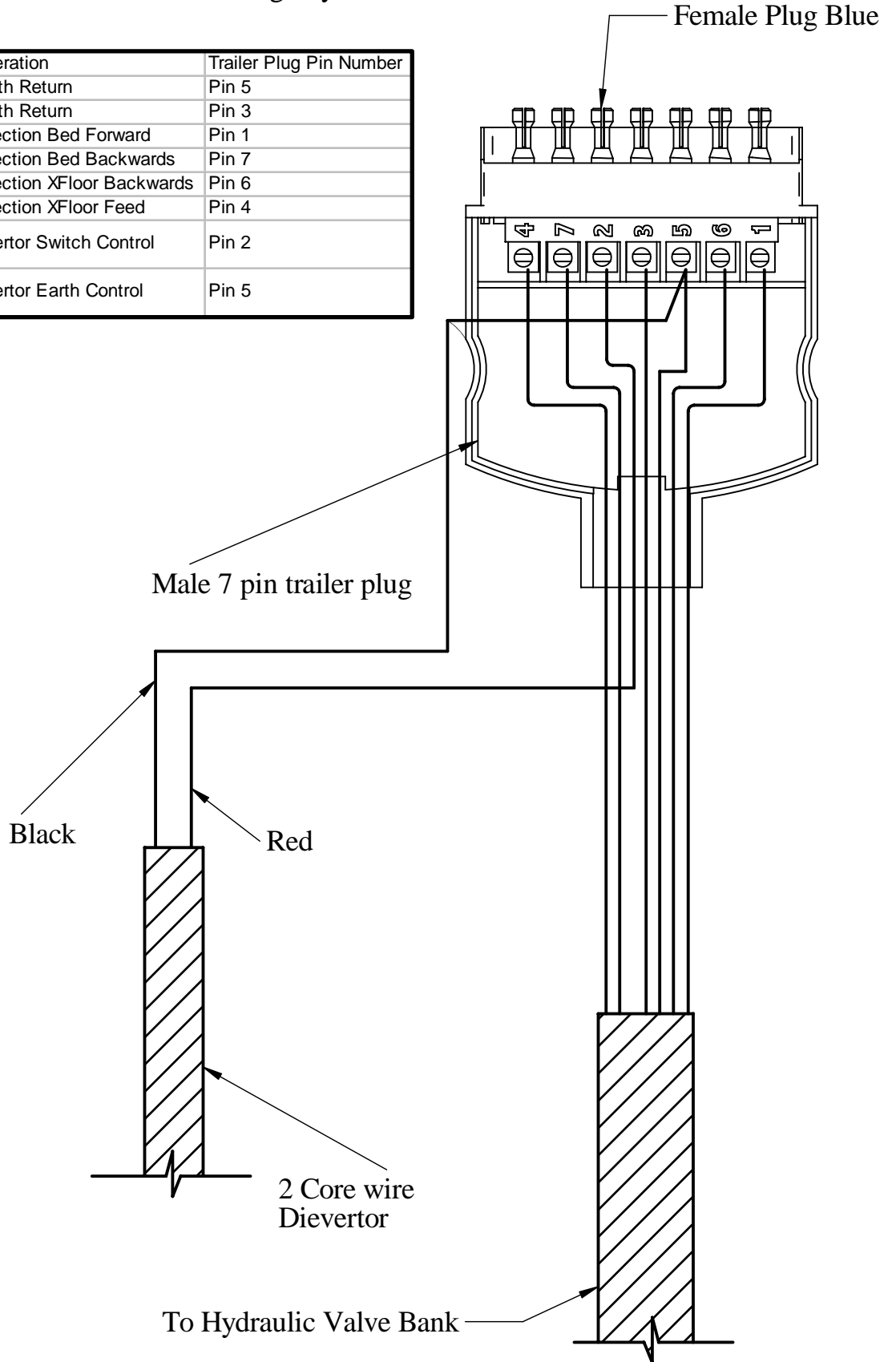


New Zealand Model Mega Comby Valve Loom Layout 1

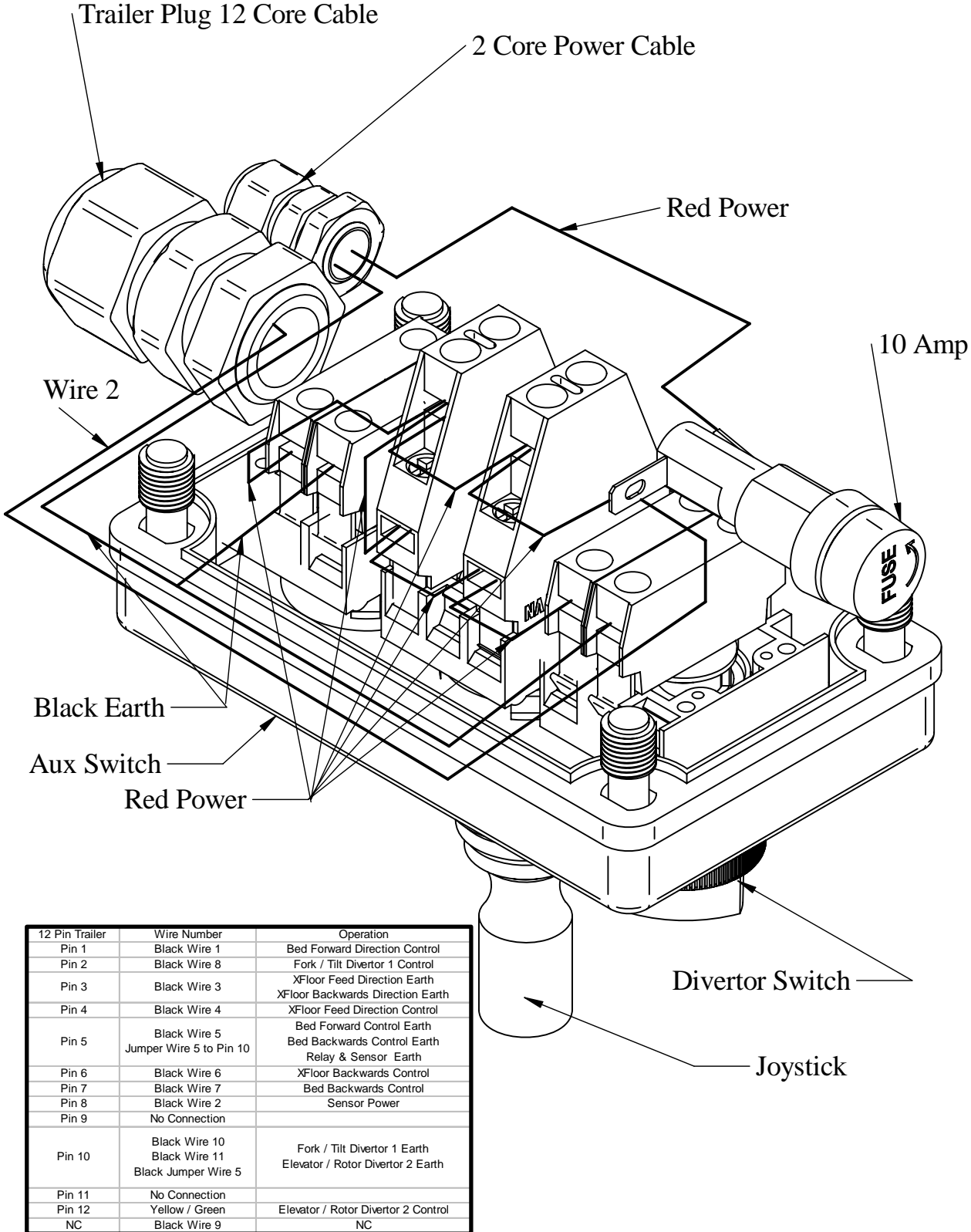


New Zealand Model Mega Comby Valve Loom Tractor Plug Layout 1

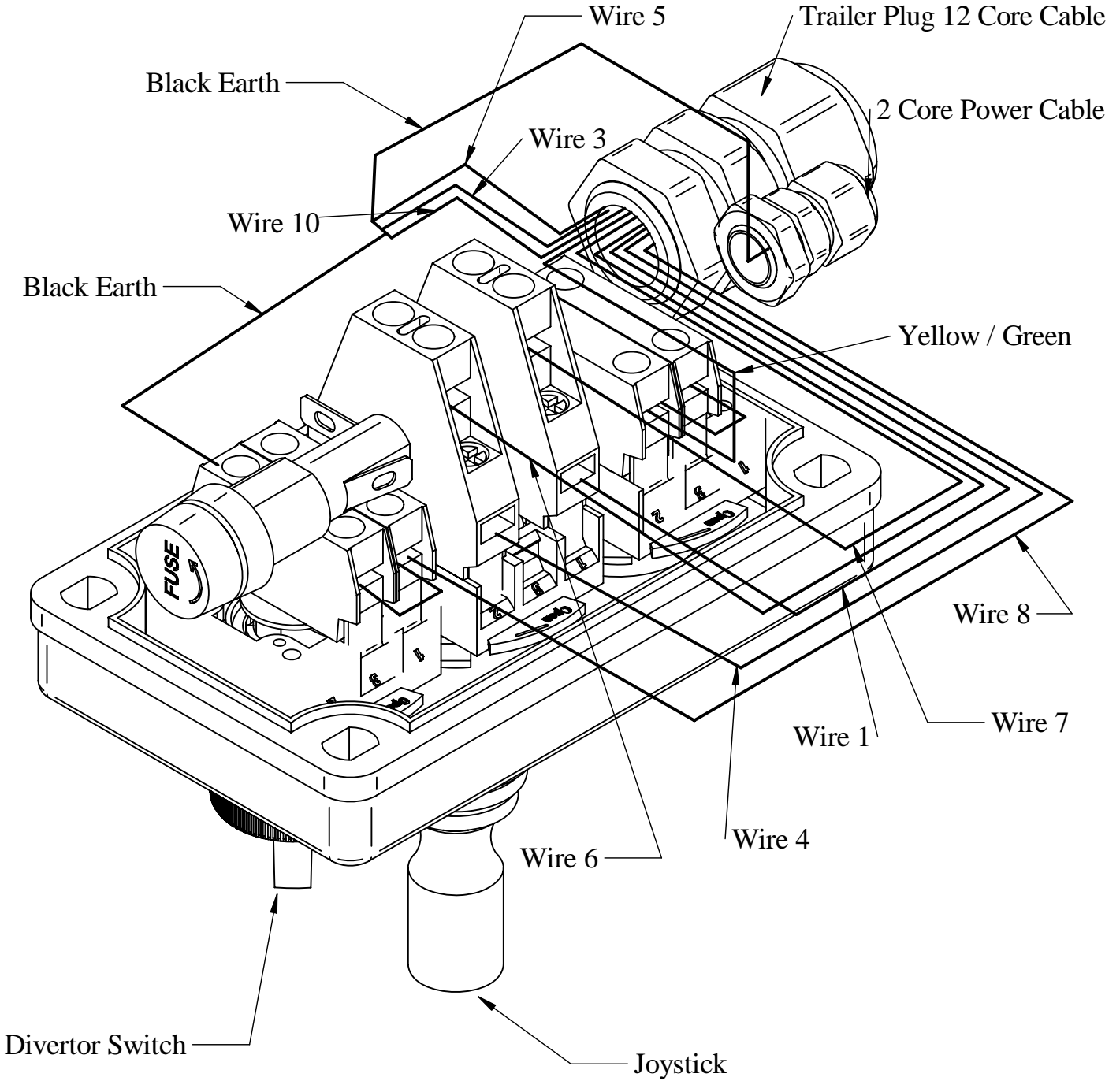
Color	Operation	Trailer Plug Pin Number
7 Core Black	Earth Return	Pin 5
7 Core White	Earth Return	Pin 3
7 Core Yellow	Direction Bed Forward	Pin 1
7 Core Brown	Direction Bed Backwards	Pin 7
7 Core Red	Direction XFloor Backwards	Pin 6
7 Core Green	Direction XFloor Feed	Pin 4
2 Core Red Or 7 Core Blue	Divertor Switch Control	Pin 2
2 Core Black Or 7 Core Black	Divertor Earth Control	Pin 5



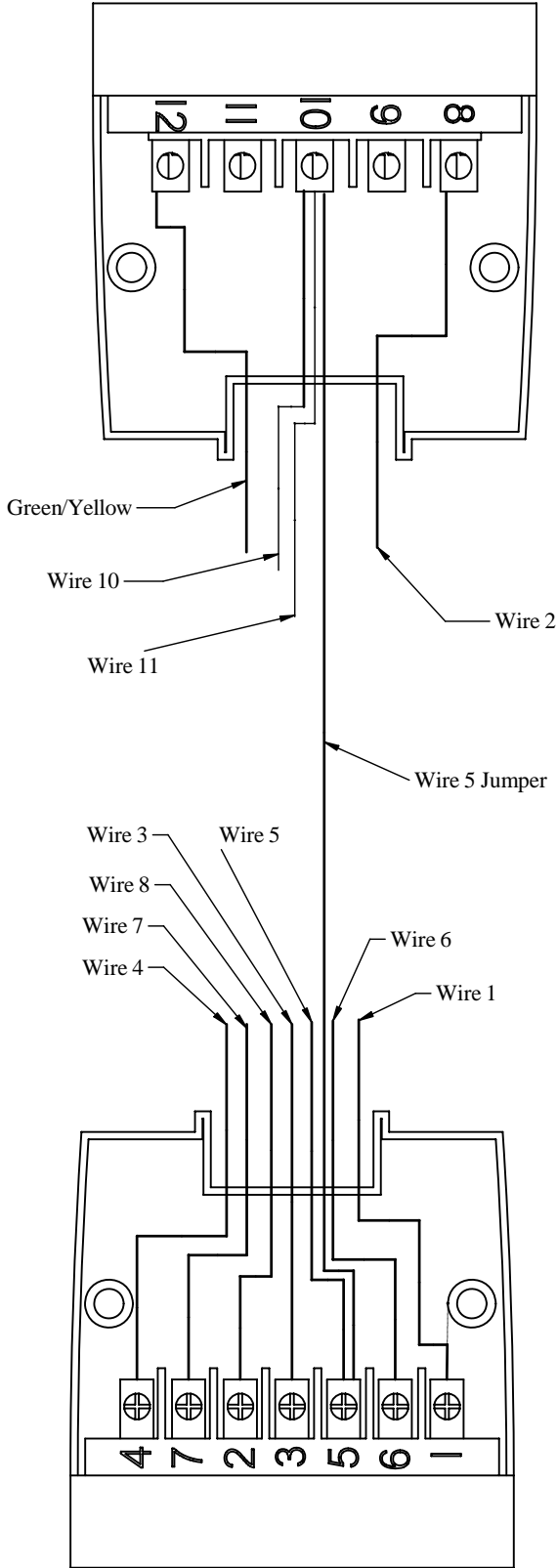
Mega Comby International Joystick Wiring Loom Layout 1



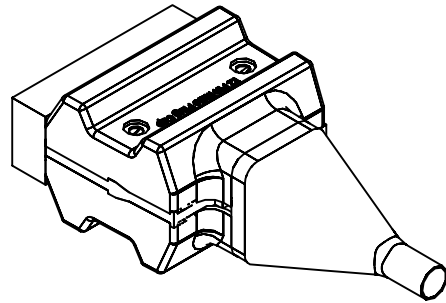
Mega Comby International Joystick Wiring Loom Layout 2



Mega Comby International Joystick Wiring Loom Layout 3



12 Pin Plug Top Side

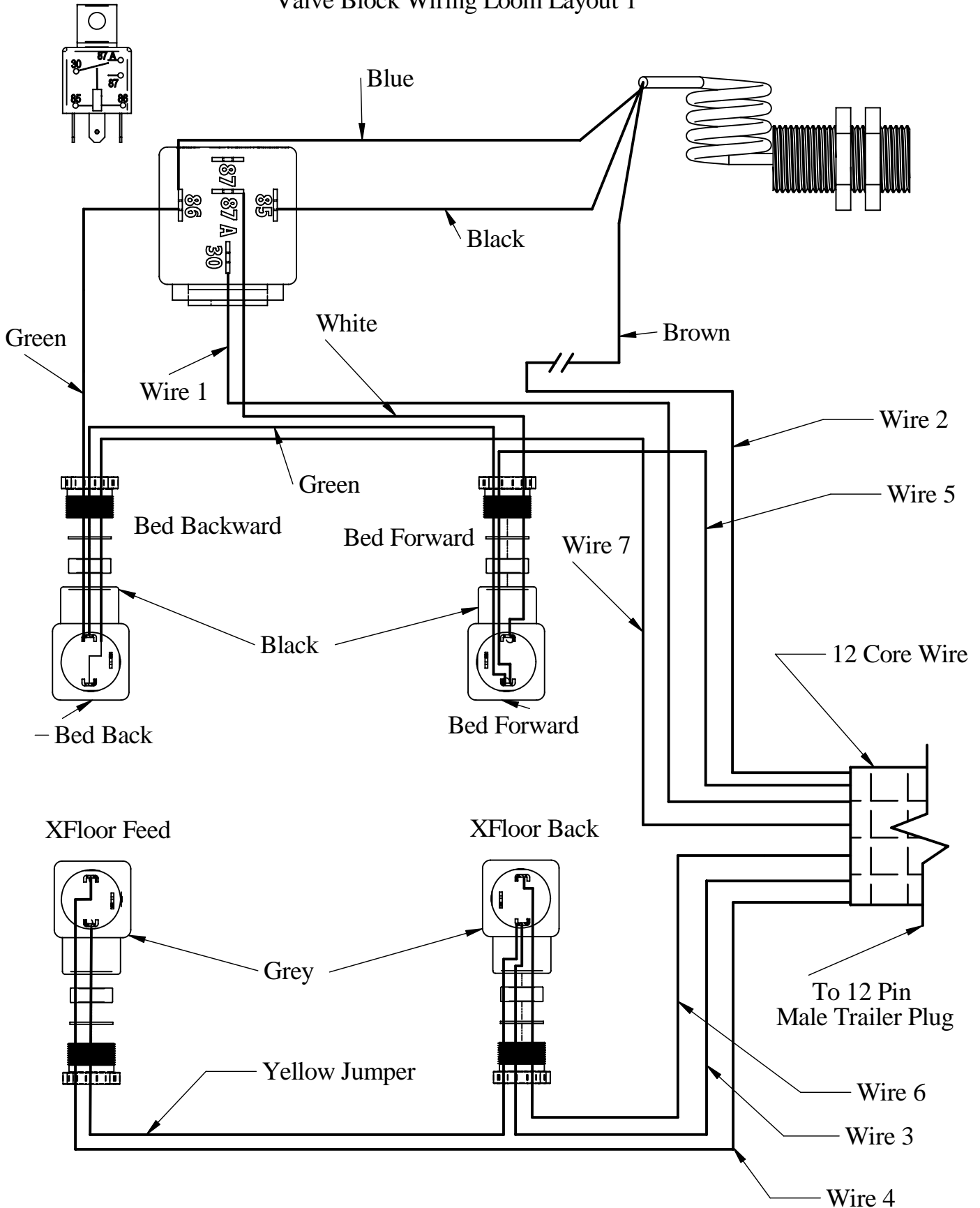


12 Pin Trailer	Wire Number	Operation
Pin 1	Black Wire 1	Bed Forward Direction Control
Pin 2	Black Wire 8	Fork / Tilt Divertor 1 Control
Pin 3	Black Wire 3	XFloor Feed Direction Earth
Pin 4	Black Wire 4	XFloor Backwards Direction Earth
Pin 5	Black Wire 5 Jumper Wire 5 to Pin 10	Bed Forward Control Earth Bed Backwards Control Earth Relay & Sensor Earth
Pin 6	Black Wire 6	XFloor Backwards Control
Pin 7	Black Wire 7	Bed Backwards Control
Pin 8	Black Wire 2	Sensor Power
Pin 9	No Connection	
Pin 10	Black Wire 10 Black Wire 11 Black Jumper Wire 5	Fork / Tilt Divertor 1 Earth Elevator / Rotor Divertor 2 Earth
Pin 11	No Connection	
Pin 12	Yellow / Green	Elevator / Rotor Divertor 2 Control
NC	Black Wire 9	NC

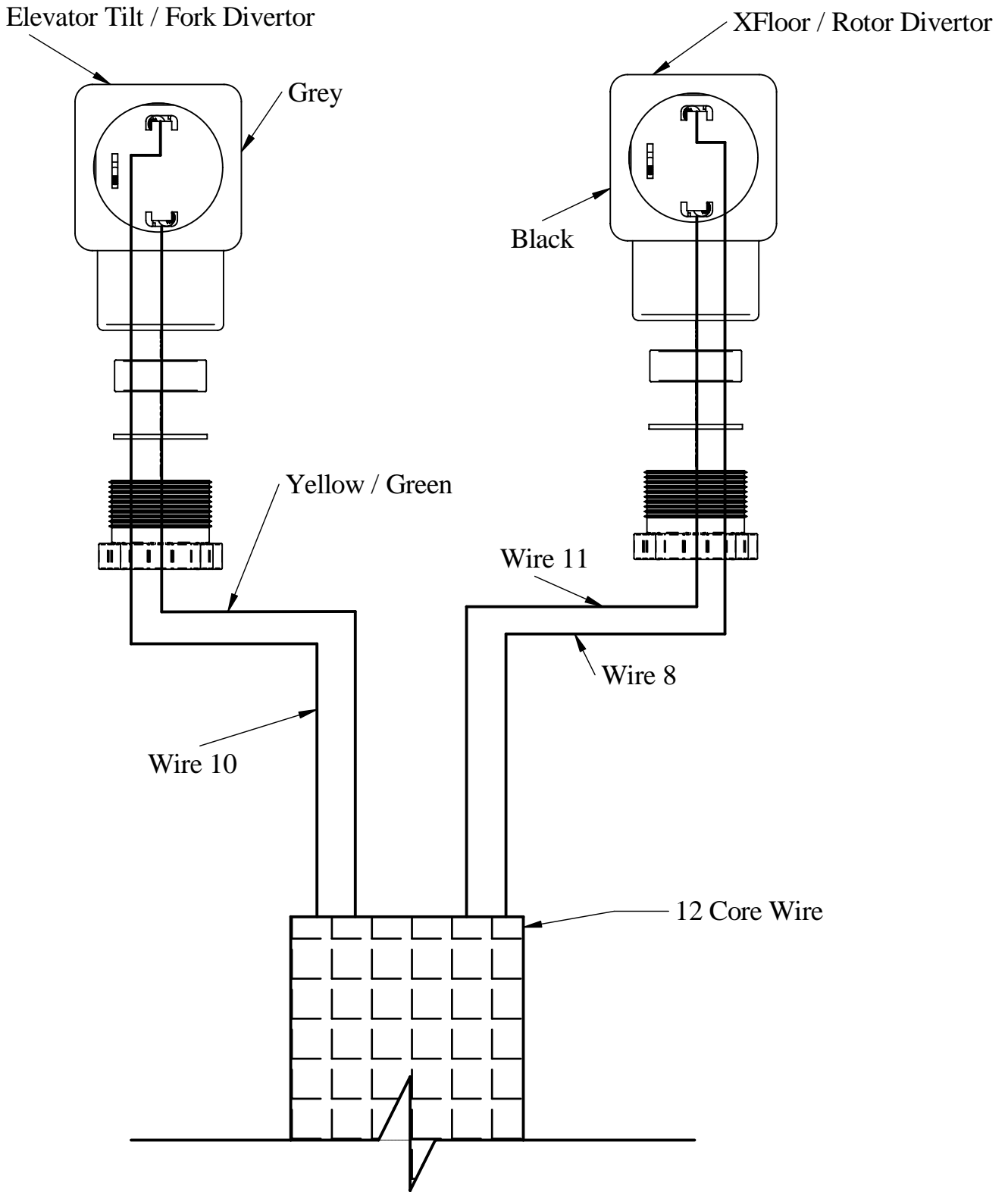
12 Pin Plug Under Side

Mega Comby International Valve Block Wiring Loom Layout 1

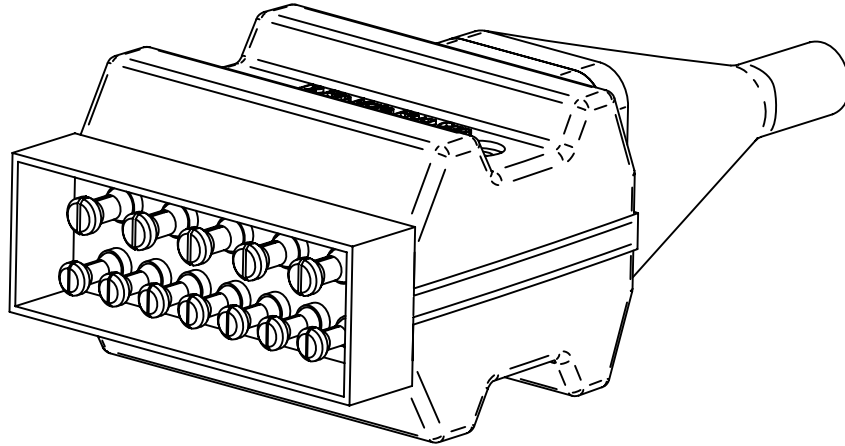
Oil Flows Out Of Port Closest To Powered Coil



Mega Comby International Valve Block Wiring Loom Layout 2



Mega Comby International Valve Block Wiring Loom Pin Out Data



12 Pin Trailer	Wire Number	Operation
Pin 1	Black Wire 1	Bed Forward Direction Control
Pin 2	Black Wire 8	Fork / Tilt Divertor 1 Control
Pin 3	Black Wire 3	XFloor Feed Direction Earth XFloor Backwards Direction Earth
Pin 4	Black Wire 4	XFloor Feed Direction Control
Pin 5	Black Wire 5 Jumper Wire 5 to Pin 10	Bed Forward Control Earth Bed Backwards Control Earth Relay & Sensor Earth
Pin 6	Black Wire 6	XFloor Backwards Control
Pin 7	Black Wire 7	Bed Backwards Control
Pin 8	Black Wire 2	Sensor Power
Pin 9	No Connection	
Pin 10	Black Wire 10 Black Wire 11 Black Jumper Wire 5	Fork / Tilt Divertor 1 Earth Elevator / Rotor Divertor 2 Earth
Pin 11	No Connection	
Pin 12	Yellow / Green	Elevator / Rotor Divertor 2 Control
NC	Black Wire 9	NC